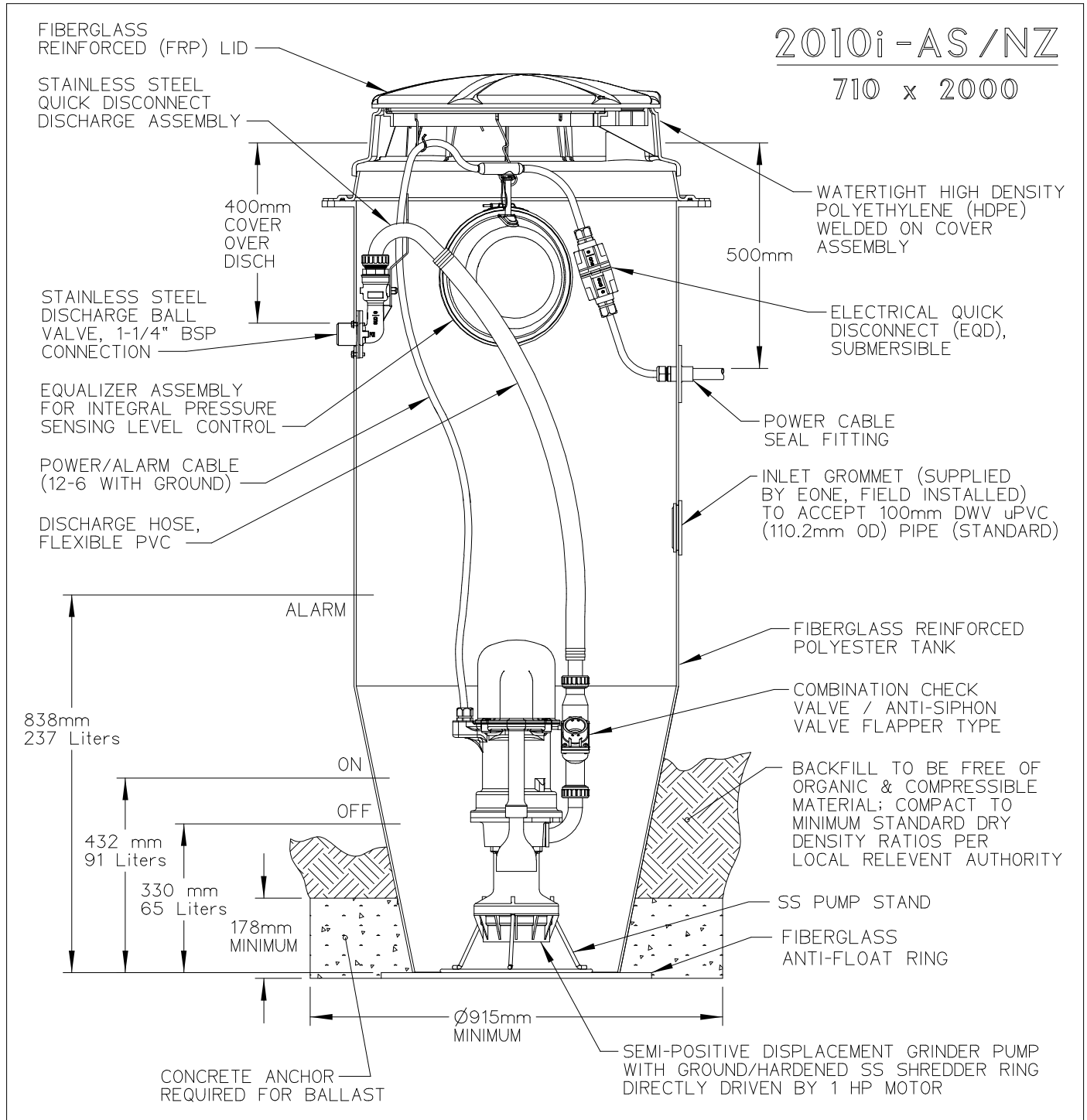


2010i-AS/NZ

710 x 2000



SPECIFICATIONS **GP 2010i-AS/NZ 710 X 2000**

BASIN	Diameter (mm)	Height (mm)	Weight (kg)	Total Capacity (l)	Capacity Above Alarm (l)	Ballast (m ³)	Inlet Pipe Size (mm)
	710 tapered	2000	58	660	423	SEE DWG	100
PUMP	Pump(s)	Dimensions (mm)	Weight (kg)	Nominal Pump Rate @ 0m TDH (lps)	Nominal Pump Rate @ 20m TDH (lps)	Nominal Pump Rate @ 42m TDH (lps)	Discharge Size (mm)
	Simplex (1)	330 x 762	47	.75	.63	.47	32
ELECTRICAL	Voltage (VAC)	Phase	Cycle (Hz)	Supply Cable (m)	Alarm Panel		
	240	Single	50	15	Simplex (1)		

DRL	PD	4/22/02	-	N/A
DR BY	CHK'D	DATE	ISSUE	SCALE



MODEL 2010i-AS/NZ DETAIL SHEET (710mm X 2000mm)

PA1778P01