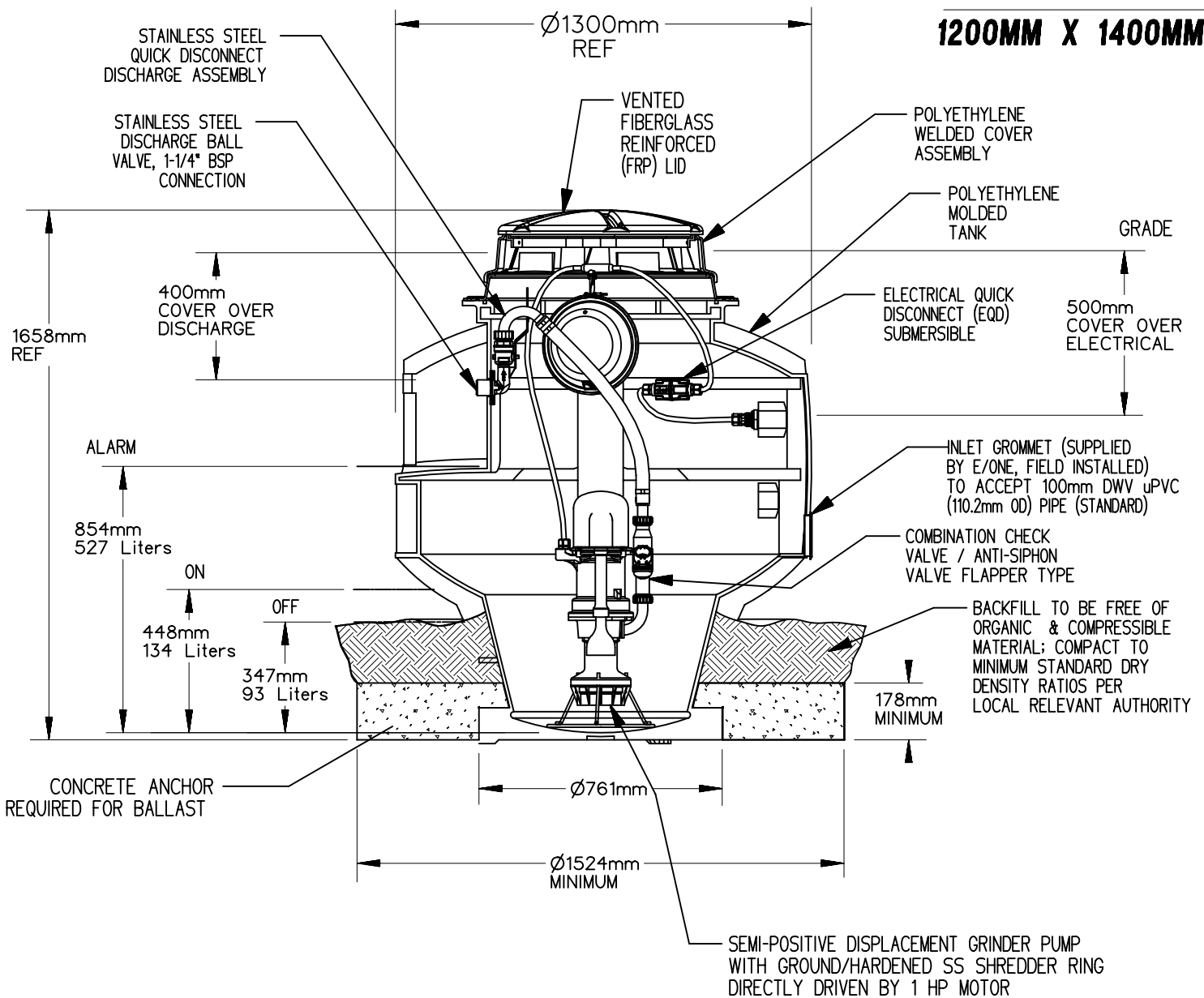


# MODEL 2012i

## 1200MM X 1400MM



### SPECIFICATIONS

2012i - 1200 x 1400

BASIN	Diameter (mm)	Height (mm)	Weight (kg)	Total Capacity (l)	Capacity Above Alarm (l)	Ballast (m <sup>3</sup> )	Inlet Pipe Size (mm)
	1200	1400	100	984	457	SEE DWG	100
PUMP	Pump (s)	Dimensions (mm)	Weight (kg)	Nominal Pump Rate @ 0m TDH (lps)	Nominal Pump Rate @ 20m TDH (lps)	Nominal Pump Rate @ 42m TDH (lps)	Discharge Size (mm)
	Simplex (1)	330 X 762	47	.75	.63	.47	32
ELECTRICAL	Voltage (VAC)	Phase	Cycle (Hz)	Supply Cable (m)	Alarm Panel		
	240	Single	50	As Specified	Simplex (1)		

PD	SZ	3/25/05	A	N/A
DR BY	CHK'D	DATE	ISSUE	SCALE



MODEL 2012i DETAIL SHEET  
(1200mm X 1400mm)

PA2006P01